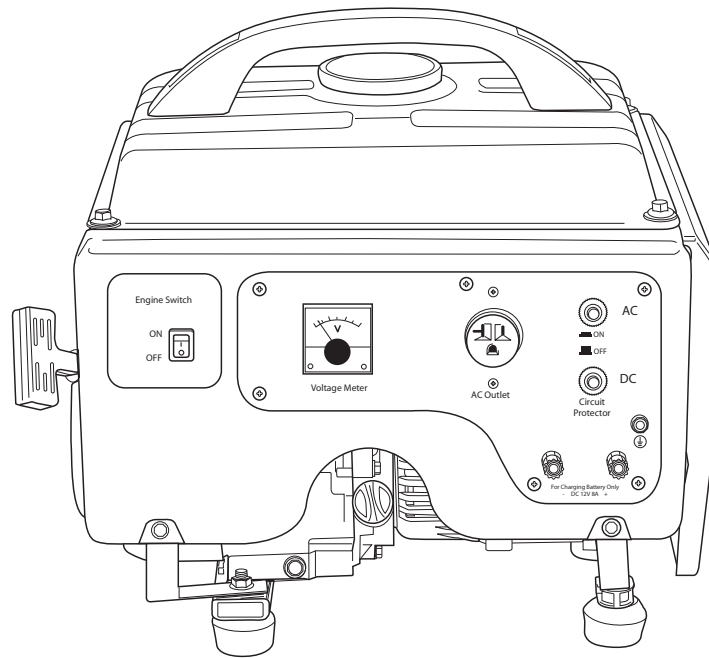


GENTRON[®]

Owner's Manual 1200 WATT GENERATOR



Please read and save these instructions.

HAVE QUESTIONS OR NEED SERVICE

DO NOT RETURN TO STORE!

PLEASE CALL TOLL FREE: 888.896.6881



www.GentronUSA.com

DANGER **Carbon Monoxide**

Using a generator indoors WILL KILL YOU IN MINUTES.

Carbon Monoxide

Generator exhaust contains high levels of carbon monoxide (CO), a poisonous gas you cannot see or smell. If you can smell the generator exhaust, you are breathing CO. But even if you cannot smell the exhaust, you could be breathing CO.

- NEVER use a generator inside homes, garages, crawlspaces, or other partly enclosed areas. Deadly levels of carbon monoxide can build up in these areas. Using a fan or opening windows and doors does NOT supply enough fresh air.
- ONLY use a generator outdoors and far away from open windows, doors, and vents. These openings can pull in generator exhaust.

Even when you use a generator correctly, CO may leak into the home. ALWAYS use a battery-powered or battery-backup CO alarm in the home.

If you start to feel sick, dizzy, or weak after the generator has been running, move to fresh air RIGHT AWAY. See a doctor. You could have carbon monoxide poisoning.

1200W Generator

Table of Contents

| Topic | Page |
|--------------------------------------|------|
| Limited Warranty | 3 |
| Safety Guidelines | 5 |
| General Precautions | 6 |
| Assembly | 15 |
| Operation | 16 |
| Inspection, Cleaning and Maintenance | 22 |
| Installation | 23 |
| Specifications | 25 |
| General Parts Listing | 26 |



WARNING! READ AND UNDERSTAND ALL SAFETY PRECAUTIONS IN THIS MANUAL BEFORE OPERATING. FAILURE TO COMPLY WITH INSTRUCTIONS IN THIS MANUAL COULD RESULT IN PERSONAL INJURY, PROPERTY DAMAGE, AND/ OR VOIDING OF YOUR WARRANTY. GENTRON WILL NOT BE LIABLE FOR ANY DAMAGE BECAUSE OF FAILURE TO FOLLOW THESE INSTRUCTIONS.

Owner's Manual

Limited Warranty

Gentron warrants to the original purchaser who uses the product in a consumer application (personal, residential or household usage) that all products covered under this warranty are free from defects in material and workmanship for one year from the date of purchase. All products covered by this limited warranty which are used in commercial applications (i.e. income producing) are warranted to be free of defects in material and workmanship for 90 days from the date of original purchase. Products covered under this warranty include air compressors, air tools, service parts, pressure washers and generators.

Gentron will repair or replace, at Gentron's sole option, products or components which have failed within the warranty period. Service will be scheduled according to the normal work flow and business hours at the service center location, and the availability of replacement parts. All decisions of Gentron with regard to this limited warranty shall be final.

This warranty gives you specific legal rights, and you may also have other rights which vary from state to state.

RESPONSIBILITY OF ORIGINAL PURCHASER (initial User):

To process a warranty claim on this product, DO NOT return item to the retailer. The product must be evaluated by an Authorized Warranty Service Center. For the location of the nearest Authorized Warranty Service Center contact the retailer or place of purchase.

Retain original cash register sales receipt as proof of purchase for warranty to work.

Use reasonable care in the operation and maintenance of the product as described in the Owner's Manual(s).

Deliver or ship the product to the Authorized Warranty Service Center. Freight costs, if any must be paid by the purchaser.

If the purchaser does not receive satisfactory results from the Authorized Warranty Service Center, the purchaser should contact Gentron.

1200W Generator

Limited Warranty (cont'd)

THIS WARRANTY DOES NOT COVER:

- Merchandise sold as reconditioned, used as rental equipment, or floor or display models.
- Merchandise that has become damaged or inoperative because of ordinary wear, misuse, cold, heat, rain, excessive humidity, freeze damage, use of improper chemicals, negligence, accident, failure to operate the product in accordance with the instructions provided in the Owner's Manual(s) supplied with the product, improper maintenance, the use of accessories or attachments not recommended by Gentron, or unauthorized repair or alterations.
- Repair and transportation costs of merchandise determine not to be defective.
- Costs associated with assembly, required oil, adjustments or other installation and start-up costs.
- Expendable parts or accessories supplied with the product which are expected to become inoperative or unusable after a reasonable period of use.
- Merchandise sold by Gentron which has been manufactured by and identified as the product of another company, such as gasoline engines. The product manufacturer's warranty, if any, will apply.
- ANY INCIDENTAL, INDIRECT OR CONSEQUENTIAL LOSS, DAMAGE, OR EXPENSE THAT MAY RESULT FROM ANY DEFECTS, FAILURE OR MALFUNCTION OF THE PRODUCT IS NOT COVERED BY THIS WARRANTY. Some states do not allow the exclusion, so it may not apply to you.
- IMPLIED WARRANTIES, INCLUDING THOSE OF MERCHANTABILITY OR FITNESS FOR A PARTICULAR PURPOSE, ARE LIMITED TO ONE YEAR FROM THE DATE OF ORIGINAL PURCHASE. Some states do not allow limitations on how long an implied warranty lasts, so the above limitations may not apply to you.

Owner's Manual

Safety Guidelines - Definitions

This manual contains important information that you need to know and understand in order to protect YOUR SAFETY and to PREVENT EQUIPMENT PROBLEMS. The following symbols help you recognize this information. Please read the manual and pay attention to these sections.

Save These Important Safety Instructions!

Read and understand all of these safety instructions. Be sure to retain them for future use.



WARNING! WARNINGS INDICATE A CERTAINTY OR STRONG POSSIBILITY OF PERSONAL INJURY OR DEATH IF INSTRUCTIONS ARE NOT FOLLOWED.



CAUTION: CAUTIONS INDICATE A POSSIBILITY OF EQUIPMENT DAMAGE IF INSTRUCTIONS ARE NOT FOLLOWED.



NOTE: NOTES GIVE HELPFUL INFORMATION



WARNING! IMPROPER OPERATION OR MAINTENANCE OF THIS PRODUCT COULD RESULT IN SERIOUS INJURY AND PROPERTY DAMAGE. READ AND UNDERSTAND ALL WARNINGS AND OPERATING INSTRUCTIONS BEFORE USING THIS EQUIPMENT. WHEN USING AIR TOOLS, BASIC SAFETY PRECAUTIONS SHOULD ALWAYS BE FOLLOWED TO REDUCE THE RISK OF PERSONAL INJURY.

1200W Generator

General Precautions



WARNING! FAILURE TO FOLLOW THESE INSTRUCTIONS CAN RESULT IN SEVERE INJURY OR DEATH.



DANGER **Carbon Monoxide**

Using a generator indoors WILL KILL YOU IN MINUTES.



Carbon Monoxide

Generator exhaust contains high levels of carbon monoxide (CO), a poisonous gas you cannot see or smell. If you can smell the generator exhaust, you are breathing CO. But even if you cannot smell the exhaust, you could be breathing CO.

- NEVER use a generator inside homes, garages, crawlspaces, or other partly enclosed areas. Deadly levels of carbon monoxide can build up in these areas. Using a fan or opening windows and doors does NOT supply enough fresh air.
- ONLY use a generator outdoors and far away from open windows, doors, and vents. These openings can pull in generator exhaust.

Even when you use a generator correctly, CO may leak into the home. ALWAYS use a battery-powered or battery-backup CO alarm in the home.

If you start to feel sick, dizzy, or weak after the generator has been running, move to fresh air RIGHT AWAY. See a doctor. You could have carbon monoxide poisoning.

Fuel and Oil



This product requires oil and fuel. Attempting to start the engine without oil will ruin the engine and void the warranty. Work in well ventilated area. Keep cigarettes, flames or sparks away from the work area or where fuel is stored.



WARNING! PROPANE IS EXTREMELY FLAMMABLE AND IS EXPLOSIVE UNDER CERTAIN CONDITIONS. KEEP OUT OF REACH OF CHILDREN.

- Gasoline fuel and fumes are flammable and potentially explosive. Use proper fuel storage and handling procedures. Always have multiple ABC class fire extinguishers nearby.
- Keep the generator and surrounding area clean at all times.
- Fuel or oil spills must be cleaned up immediately. Dispose of fluids and cleaning materials as per any local, state, or federal codes and regulations. Store oily rags in a covered metal container.
- Never store fuel or other flammable materials near the generator.

Owner's Manual

General Precautions (cont'd)

Fuel and Oil (cont'd)

- Do not smoke, or allow sparks, flames or other sources of ignition around the engine and fuel tank. Fuel vapors are explosive.
- Keep grounded conductive objects, such as tools, away from exposed, live electrical parts and connections to avoid sparking or arcing. These events could ignite fumes or vapors.
- Do not refill the fuel tank while the engine is running or while the engine is still hot. Do not operate the generator with known leaks in the fuel system
- Excessive buildup of unburned fuel gases in the exhaust system can create a potentially explosive condition. This buildup can occur after repeated failed start attempts, valve testing, or hot engine shutdown. If this occurs, open exhaust system drain plugs, if equipped, and allow the gases to dissipate before attempting to restart the generator.
- Use only engine manufacturer recommended fuel and oil.

Hot Components



WARNING! ENGINE AND EXHAUST SYSTEM PARTS BECOME VERY HOT AND REMAIN HOT FOR SOME TIME AFTER THE ENGINE IS RUN. WEAR INSULATED GLOVES OR WAIT UNTIL THE ENGINE AND EXHAUST SYSTEM HAVE COOLED BEFORE HANDLING THESE PARTS.

Power Output

This generator is not designed to power sensitive electronic equipment (including computers and medical devices) without the addition of an approved line conditioner, which is sold separately.



CAUTION: ATTEMPTING TO POWER SENSITIVE ELECTRONIC EQUIPMENT WITHOUT THE USE OF AN APPROVED LINE CONDITIONER MAY CAUSE DAMAGE TO THE EQUIPMENT. GENTRON IS NOT RESPONSIBLE FOR ANY DIRECT OR INDIRECT DAMAGE CAUSED BY FAILURE TO USE AN APPROVED LINE CONDITIONER.

1200W Generator

General Precautions (cont'd)

Work Area

- Keep your work area clean and well lit. Cluttered benches and dark areas invite accidents.
- Do not operate power tools in explosive atmospheres, such as in the presence of flammable liquids, gases, or dust. Generators create sparks which may ignite the dust or fumes.
- Keep bystanders, children, and visitors away while operating a generator. Provide barriers or shields as needed.

Electrical Safety

- Grounded tools must be plugged into an outlet properly installed and grounded in accordance with all codes and ordinances. Never remove the grounding prong or modify the plug in any way. Do not use any adapter plugs.
- Grounding provides a low-resistance path to carry electricity away from the user in the event of an electrical malfunction.
- Double insulated tools are equipped with a polarized plug where one blade is wider than the other. This plug fits in a polarized outlet only one way. If the plug does not fit fully in the outlet, reverse the plug. If it still does not fit, contact a qualified electrician to install a polarized outlet. Do not change the plug in any way. Double insulation eliminates the need for the three-wire grounded power cord and grounded power supply system.
- Avoid body contact with grounded surfaces such as pipes, radiators, ranges, and refrigerators. There is an increased risk of electric shock if your body is grounded.
- Do not expose generator to rain or wet conditions. Water entering a generator will increase the risk of electric shock.
- Do not abuse the power cord. Keep power cords away from heat, oil, sharp edges, or moving parts. Replace damaged power cords immediately. Damaged power cords increase the risk of electric shock.
- When operating a power tool outside, use an outdoor extension cord marked “W-A” or “W”. These extension cords are rated for outdoor use, and reduce the risk of electric shock.



Owner's Manual

General Precautions (cont'd)

Electrical Safety (cont'd)

- All connections and conduits from the generator to the load must only be installed by trained and licensed electricians, and in compliance with all relevant local, state, and federal electrical codes and standards, and other regulations where applicable.
- The generator must be earth-grounded for fixed installations in accordance with all relevant electrical codes and standards before operation.
- Do not attempt to connect or disconnect load connections while standing in water, or on wet or soggy ground.
- Do not touch electrically energized parts of the generator and interconnecting cables or conductors with any part of the body, or with any non-insulated conductive object.
- Connect the generator only to a load or electrical system (120 volt) that is compatible with the electrical characteristics and rated capacities of the generator.
- Before servicing equipment powered by the generator, disconnect the equipment from its power input.
- Keep all electrical equipment clean and dry. Replace any wiring where the insulation is cracked, cut abraded or otherwise degraded. Replace terminals that are worn, discolored, or corroded. Keep terminals clean and tight.
- Insulate all connections and disconnected wires.
- Guard against electric shock. Prevent body contact with grounded surfaces such as pipes, radiators, ranges, and refrigerator enclosures.

Personal Safety

- Stay alert. Watch what you are doing, and use common sense when operating a generator. Do not use generator while tired or under the influence of drugs, alcohol, or medication. A moment of inattention while operating generators may result in serious personal injury.
- Dress properly. Do not wear loose clothing or jewelry. Contain long hair. Keep your hair, clothing, and gloves away from moving parts. Loose clothes, jewelry, or long hair can be caught in moving parts.

1200W Generator

General Precautions (cont'd)

Personal Safety (cont'd)

- Avoid accidental starting. Make sure the power switch is in its “OFF” position, and disconnect the spark plug wire when not in use.
- Remove adjusting keys or wrenches before turning the generator on. A wrench or a key that is left attached to a rotating part of the generator may result in personal injury.
- Do not overreach. Keep proper footing and balance at all times.
- Use safety equipment. Always wear eye protection. Wear ANSI approved safety impact eye goggles. Dust mask, non-skid safety shoes, hard hat, or hearing protection must be used for appropriate conditions.
- Do not force the generator. Use the correct generator for your application. The correct generator will do the job better and safer at the rate for which it is designed.
- Do not use the generator if the power switch does not turn it on or off. Any generator that cannot be controlled with the power switch is dangerous and must be replaced.

Generator Use and Care

Make sure the power switch is in its “OFF” position and disconnect the spark plug wire before making any adjustment, changing accessories, or storing the generator. Such preventive safety measures reduce the risk of starting the generator accidentally.

Store idle generators out of reach of children and other untrained persons. Generators are dangerous in the hands of untrained users.

Maintain generators with care. Do not use damaged generator. Tag damaged generators “Do not use” until repaired.

Check for misalignment or binding of moving parts, breakage of parts, and any other condition that may affect the generator’s operation. If damaged, have the generator serviced before using. Many accidents are caused by poorly maintained generators.

Use only accessories that are recommended by the manufacturer for your model. Accessories that may be suitable for one generator may become hazardous when used on another generator.

Owner's Manual

General Precautions (cont'd)

Servicing

Maintain labels and name plates on the generator and engine. These carry important information. If unreadable or missing, contact Gentron immediately for a replacement.

Generator service must be performed only qualified repair personnel. Service or maintenance performed by unqualified personnel could result in a risk of injury.

When servicing a generator, use only identical replacement parts. Follow all appropriate instructions in this manual. Use of unauthorized parts or failure to follow maintenance instructions may create a risk of electric shock or injury.

Heart Pacemakers



WARNING! PEOPLE WITH PACEMAKERS SHOULD CONSULT THEIR PHYSICIAN(S) BEFORE USING THIS PRODUCT. ELECTROMAGNETIC FIELDS IN CLOSE PROXIMITY TO A HEART PACEMAKER COULD CAUSE INTERFERENCE TO OR FAILURE OF THE PACEMAKER.

Installation

- Ensure installation meets all applicable safety, and local and national electrical codes. Have installation performed by a qualified, licensed electrician and building contractor.
- All electrical work, including the earth-ground connection, should be completed by a licensed electrician.
- Any separate fuel storage or generator supply facility must be built or installed in full compliance with all relevant local, state, and federal regulations.

1200W Generator

General Precautions (cont'd)

Installation (cont'd)

- If the generator is installed outdoors, it must be weatherproofed and should be soundproofed. It should not be run outdoors without protection to the generator and wiring conduit.
- The generator weighs 53lbs (approx). Two or more people should assist when moving or lifting this product. Never lift the generator using the engine or alternator lifting lugs. Connect lifting equipment to the frame of the generator
- Before lifting the generator, ensure the lift rigging and supporting structure are in good condition, and are rated to lift such a load.
- Keep all personnel away from the suspended generator during relocating.
- The supporting floor/ground surface should be level and strong enough to safely hold the weight of the generator. If the floor/grounded surface is not level, strong cross members should be placed under the full length of the generator frame at its low side.
- For trailer installation, the generator should be mounted on the center point of the trailer, over the wheels. The trailer must be capable of supporting the weight of the generator and all contents (tools, etc.)
- Install sound-and weather-proofing only when it is not raining or snowing to avoid trapping moisture within the generator's area.

Mechanical

- Always make sure the power switch is in its "OFF" position. Disconnect the spark plug wire, and allow the engine to completely cool before carrying out maintenance.
- Check for damaged parts. Before using the generator, any part that appears damaged should be carefully checked to determine that it will operate properly and perform its intended function. Check for alignment and binding of moving parts, any broken parts or mounting fixtures, and any other condition that may affect proper operation technician.
- The generator is designed with guards for protection from moving parts. In any case, care must still be taken to protect personnel and equipment from other mechanical hazards when working around the generator.

Owner's Manual

General Precautions (cont'd)

Mechanical (cont'd)

- Do not operate the generator with safety guards removed. While the generator is running, do not attempt to reach around the safety guard for maintenance or any other reason.
- Keep hands, arms, long hair, loose clothing, and jewelry away from moving parts. Be aware that when engine parts are moving fast they cannot be seen clearly.
- Keep access doors on enclosures closed and locked when access is not required.
- When working on or around the generator always wear protective clothing including ANSI approved safety gloves, safety eye goggles, and safety hat.
- Do not alter or adjust any part of the generator that is assembled and supplied by the manufacturer.
- Always follow and complete scheduled engine and generator maintenance.

Chemicals

- Avoid contact with hot fuel, oil, exhaust fumes, and hot solid surfaces.
- Avoid body contact with fuels, oils, and lubricants used in the generator. If swallowed, seek medical treatment immediately. Do not induce vomiting if fuel is swallowed. For skin contact, immediately wash with soap and water. For eye contact, immediately flush eyes with clean water and seek medical attention.

Noise

- Prolonged exposure to noise levels above 68 DBA is hazardous to hearing. Always wear ANSI approved ear protection when operating or working around the generator when it is running.

1200W Generator

General Precautions (cont'd)

Extension Cord

If an extension cord (not included) is used, make sure to use only UL approved cords having the correct gauge and length according to the following table:

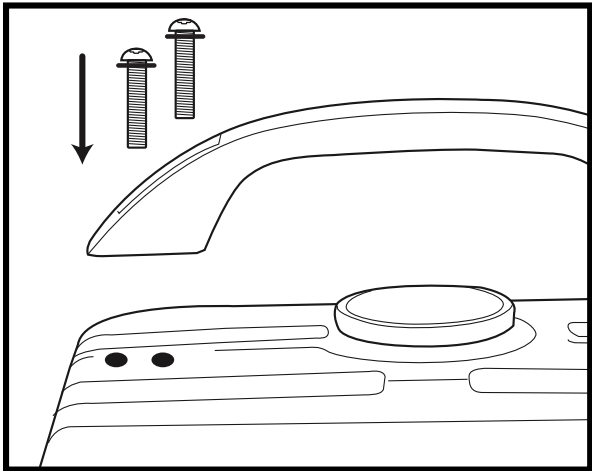
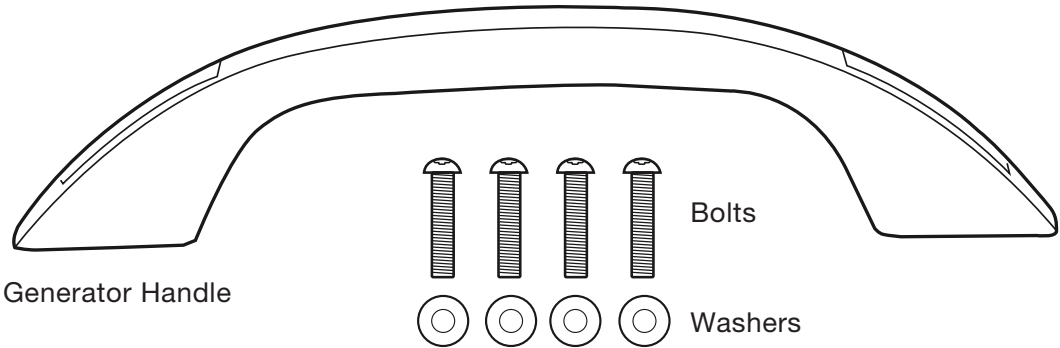
| Nameplate Amps (@ full load) | Cord Lengths | | | |
|---------------------------------|---------------|----------------|-----------------|-----------------|
| | 0 ft.- 50 ft. | 50 ft.-100 ft. | 100 ft.-150 ft. | 150 ft.-200 ft. |
| 0 - 5 | 16 AWG | 16 AWG | 12 AWG | 12 AWG |
| 5.1 - 8 | 16 AWG | 14 AWG | 10 AWG | - |
| 8.1 - 12 | 14 AWG | 12 AWG | - | - |
| 12.1 - 15 | 12AWG | 10 AWG | - | - |
| 15 - 20 | 10AWG | 10 AWG | - | - |

Owner's Manual

Assembly

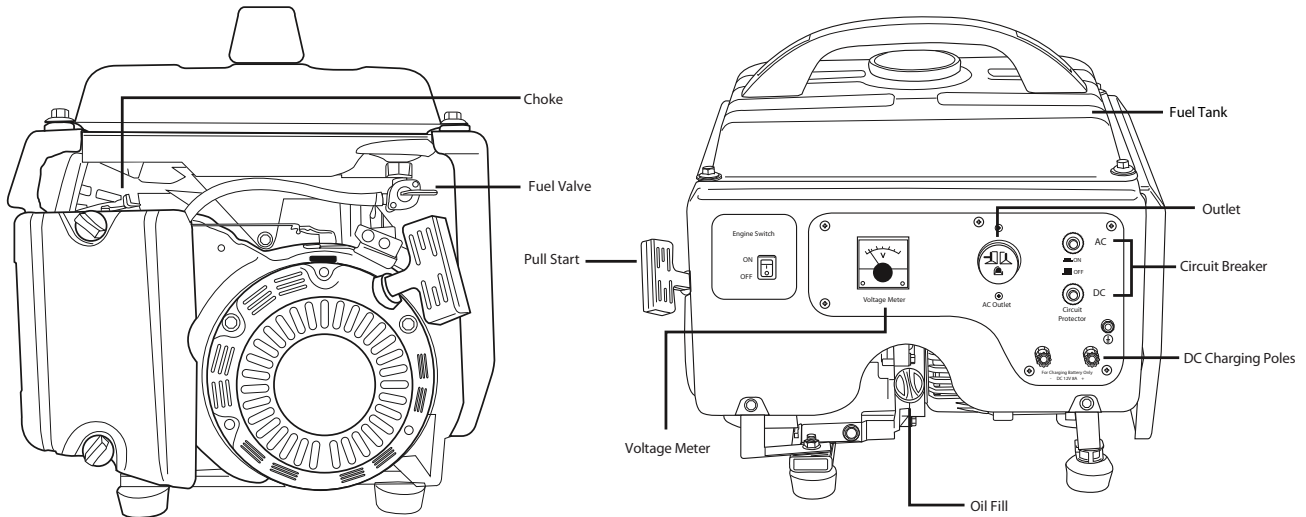
Handle Assembly:

Insert washers on bolts. Place bolts through handle and screw in to generator.
See illustration below.



Owner's Manual

Operation



NOTE: THE PARTS LISTED ABOVE ARE HELPFUL FOR LOCATING THE CONTROLS MENTIONED BELOW.



CAUTION: PRIOR TO FIRST USING THE GENERATOR, THE ENGINE MUST BE FILLED WITH OIL OF A HIGH QUALITY SAE 10W-30 GRADE ENGINE OIL. TO DO SO, UNSCREW AND REMOVE THE ENGINE'S OIL DIPSTICK LOCATED AT THE BOTTOM OF THE ENGINE CRANKCASE. FILL THE ENGINE'S CRANKCASE UNTIL THE OIL LEVEL IS LEVEL WITH THE UPPER MARKED LINE ON THE DIPSTICK. THEN SCREW THE DIPSTICK BACK INTO THE OIL FILL HOLE.

Pull Start: Manual start.

Oil Fill: To check and fill oil.

Voltage Meter: Measures voltage

Outlets: Plugs for appliances, etc.

Circuit Breaker: Breaker for outlets incase of overloads.

DC Charging Poles: Used for charging batteries only.

Choke: Used for cold starting the generator.

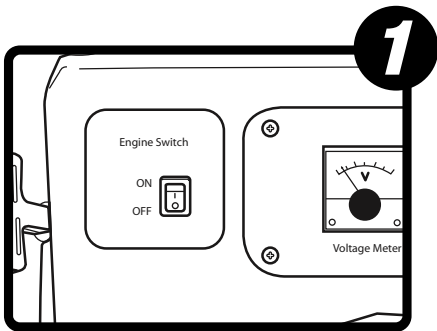
Fuel Valve: To allow fuel to the engine.

1200W Generator

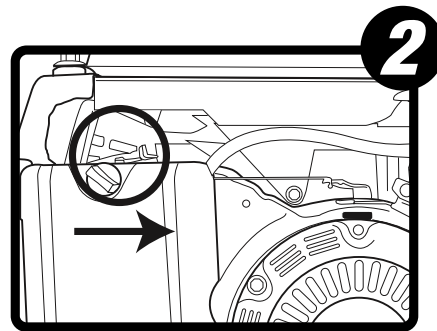
Operation (cont'd)

Starting Instructions

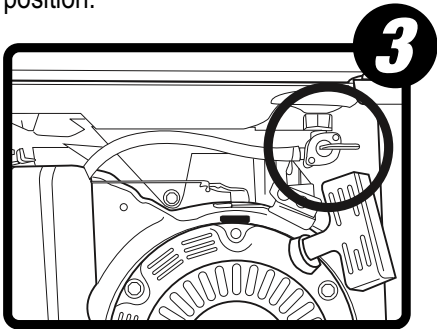
NOTE: Before you start generator make sure the unit has enough oil and fuel. Also disconnect all loads from generator.



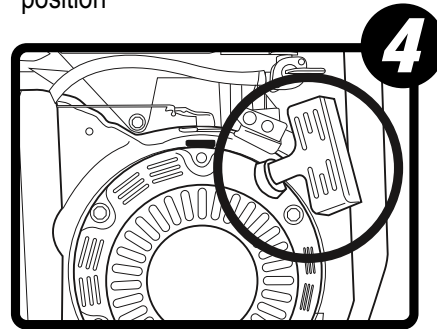
Turn the engine switch to the ON position.



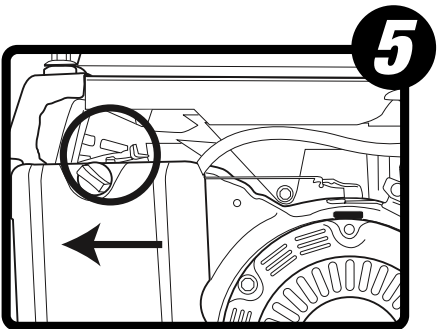
Put the Choke lever on the Choke position



Turn the fuel valve to the On position.



Pull the recoil start until generator starts



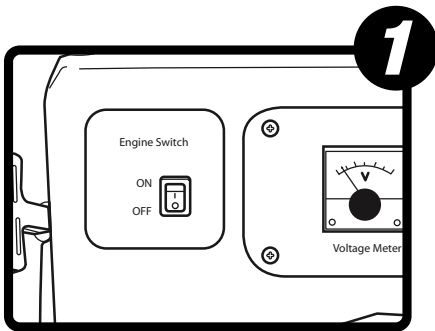
Put the Choke lever to the Run position

Owner's Manual

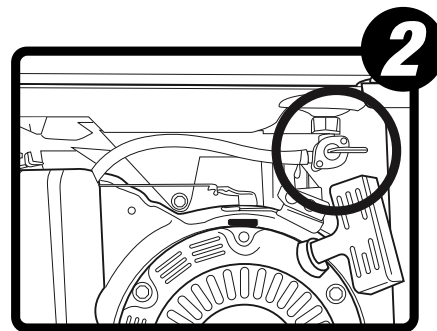
Operation (cont'd)

Shutting Down Generator

NOTE: Disconnect all loads from generator.



Turn the engine switch to the Off position.



Turn the fuel valve to the Off position.

1200W Generator

Operation (cont'd)

Powering 120 Volt AC Tools And Equipment:

1. Prior to powering tools and equipment, make sure the generator's rated voltage, and amperage capacity (120V AC @ 7.5 AMPs) is adequate to supply all electrical loads that the unit will power. If powering exceeds the generator's capacity, it may be necessary to group one or more of the tools and/or equipment for connection to a separate generator.



CAUTION: ATTEMPTING TO POWER SENSITIVE ELECTRONIC EQUIPMENT WITHOUT THE USE OF AN APPROVED LINE CONDITIONER MAY CAUSE DAMAGE TO THE EQUIPMENT. ALL-POWER IS NOT RESPONSIBLE FOR ANY DIRECT OR INDIRECT DAMAGE CAUSED BY FAILURE TO USE AN APPROVED LINE CONDITIONER.

2. Once the generator is running, simply connect the power cords of 120 volt AC powered tools and equipment into the 120 volt AC dual outlets.



NOTE: THE GENERATOR FEATURES AN AC NON-FUSE CIRCUIT BREAKER TO PROTECT THE AC CIRCUIT IN CASE OF AN OVERLOAD. SHOULD AN OVERLOAD OCCUR, THE BREAKER WILL "TRIP" TO ITS "OFF" POSITION.

3. Disconnect all electrical powered tools and equipment from the generator's 120 volt AC outlets.
4. After the engine and generator have completely cooled, store generator in a safe, clean, dry location (if not already installed).

Owner's Manual

Operation (cont'd)

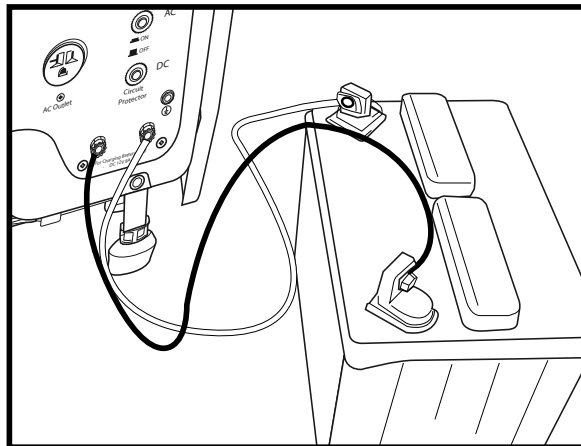
The 12 Volt DC terminals are only for charging batteries

1. Connect battery cables (not included) from generator to battery.



CAUTION: MAKE SURE TO CONNECT THE POSITIVE (+) LEAD OF THE POWER CORD TO THE POSITIVE (+) TERMINAL ON THE GENERATOR, AND CONNECT THE NEGATIVE (-) LEAD OF THE POWER CORD TO THE NEGATIVE (-) TERMINAL ON THE GENERATOR.

3. Start and run the engine as described above
4. When finished using the generator, turn the engine power switch to its "OFF" position. Turn the fuel valve to its "OFF" position.
6. After the engine and generator have completely cooled, store the generator in a safe, clean, dry location (if not already installed in one).



1200W Generator

Operation (cont'd)

Spark Plug Service

In order to service the spark plug, you will need a spark plug wrench (commercially available). Recommended spark plugs: 17RTC. To ensure proper engine operation, the spark plug must be properly gapped and free of deposits.

1. Remove the spark plug cap.
2. Use a spark plug wrench to remove the spark plug.
3. Visually inspect the spark plug. Discard it if the insulator is cracked or chipped. Clean the spark plug with a wire brush if it is to be reused.
4. Measure the plug gap with a feeler gauge.
5. Check that the spark plug washer is in good condition.
6. After the spark plug is seated, tighten with a spark plug in by hand to prevent cross-threading.
7. After the spark plug is seated, tighten with a spark plug wrench to compress the washer.



NOTE: THE SPARK PLUG MUST BE SECURELY TIGHTENED. AN IMPROPERLY TIGHTENED SPARK PLUG CAN BECOME VERY HOT AND COULD DAMAGE THE ENGINE. NEVER USE SPARK PLUGS WHICH HAVE AN IMPROPER HEAT RANGE. USE ONLY RECOMMENDED SPARK PLUS OR EQUIVALENT.

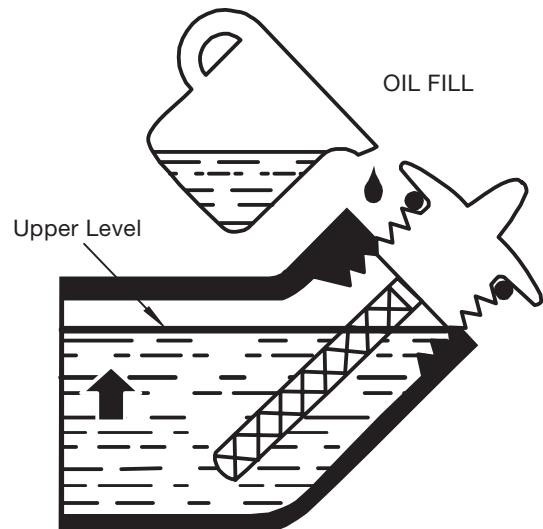
Owner's Manual

Inspection, Cleaning, and Maintenance



WARNING! ALWAYS MAKE SURE THE ENGINE POWER SWITCH IS IN ITS "OFF" POSITION. DISCONNECT THE SPARK PLUG WIRE FROM THE ENGINE. AND ALLOW SUFFICIENT TIME FOR THE ENGINE AND GENERATOR TO COMPLETELY COOL BEFORE PERFORMING ANY INSPECTIONS, MAINTENANCE, OR CLEANING.

- Before each use, inspect the generator. Check for:
 - Loose screws
 - Misaligned or binding moving parts
 - Cracked or broken parts
 - Damaged electrical wiring
 - Any other condition that may affect safe operation.
- If an engine problem occurs, have it checked by a qualified service technician before further use. Do not use damaged equipment.
- Before each use, make sure the engine's oil and fuel levels are adequate. If necessary, fill the crankcase until the oil level is even with the oil hill hole and/or fill the fuel tank.
- Before each use, remove all debris with a soft brush, rag, or vacuum.
- Lubricate all moving parts using a premium quality, lightweight machine oil.
- Every 50 hours of use, drain the old engine oil and replace with a high quality SAE 10W-30 grade engine oil.
- Every 300 hours of use, have a qualified, certified technician perform thorough maintenance on the generator and engine.



1200W Generator

Installation



NOTE: PRIOR TO POWERING TOOLS AND EQUIPMENT MAKE SURE THE GENERATOR'S RATED VOLTAGE, WATTAGE AND AMPERAGE CAPACITY IS ADEQUATE TO SUPPLY ALL ELECTRICAL LOADS THAT THE UNIT WILL POWER. IF POWERING EXCEEDS THE GENERATOR'S CAPACITY, IT MAY BE NECESSARY TO GROUP ONE OR MORE OF THE TOOLS AND/OR EQUIPMENT FOR CONNECTION TO A SEPERATE GENERATOR.

Electrical and other permits may be required for the installation of emergency power systems. Investigate your local building and electrical codes before installing this unit. Installation must be completed by licensed contractors.



WARNING! THE GENERATOR WEIGHS APPROXIMATELY 53 POUNDS. USE CARE AND THE PROPER LIFTING OR HOISTING EQUIPMENT WHEN MOVING IT TO THE INSTALLATION LOCATION. ALWAYS CONNECT HOIST LINES TO THE FRAME OF THE GENERATOR.

General Location

- Make sure to locate and install the generator outdoors where cooling air is readily available.
- Install the generator so that the air inlets and outlets are not blocked by obstructions such as bushes, trees, or snow drifts. Locating it in the path of heavy winds or snowdrifts may require the placement of a barrier for protection. In normal weather conditions, the air vent should face the prevailing wind direction.
- Install the generator on a concrete slab or other area where rain drainage or flood waters can not reach it.
- Generator placement should allow four feet of access to all sides for maintenance.

Owner's Manual

Installation (cont'd)

Supporting and Mounting

Mount the generator on a concrete slab capable of supporting the weight of the generator. The slab must extend on all sides beyond the frame by at least one foot. Contact a cement contractor for slab specifications if necessary. Attach the frame to the concrete slab using 3/8" diameter expansion anchor bolts (not supplied).

Grounding

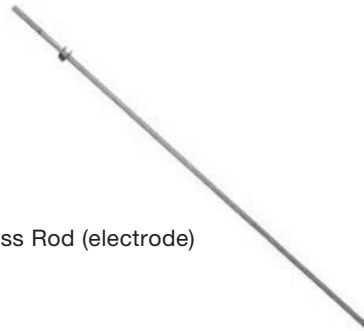


NOTE: IT IS RECOMMENDED THAT ONLY A TRAINED AND LICENSED ELECTRICIAN PERFORM THIS PROCEDURE

Connect a #6 AWG grounding wire (not included) from the ground connector on the generator power panel (picture below) to a grounding rod (picture below). It must be driven at least 24" deep into the earth (Soil). The grounding rod must be an earth-driven copper or brass (electrode) which can adequately ground the generator.



Ground Connector



Brass Rod (electrode)

1200W Generator

Specifications

AC electrical

| | |
|--------------------------|---------------------|
| Current Output | 120V AC @ 7.5A 60Hz |
| Continuous/Rated Wattage | 900w |
| Peak Wattage | 1200w |
| Outlet | One 120V outlet |

DC electrical

12V 8.3 A

Gasoline engine

| | |
|-------------------------|-------------------------------------|
| Horsepower | 2.4 |
| Type | 4-cycle OHV air-cooled recoil start |
| Displacement | 79.5cc |
| Oil capacity | 0.4 liters |
| EPA & C.A.R.B. approved | yes |

Fuel

| | |
|--------------|---|
| Type | Gasoline |
| Capacity | 1.3 gallons (5 liters) |
| Running time | 9 hrs 1/2 load & 5.7 hours at full load |
| Fuel gauge | none |

Weight

| | |
|--------------------|---------|
| Approximate weight | 53 lbs. |
|--------------------|---------|

Owner's Manual

General Parts Listing

This list is provided for reference purposes only. All repairs and part replacement should be performed by a qualified technician. Some parts may not be available as single replacements.

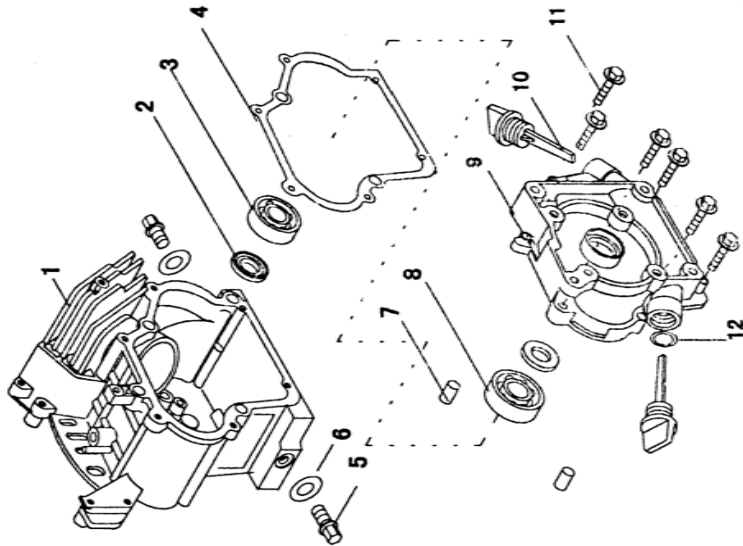


FIG A. CRANKCASE ASSY

| APA Part No. | Part No. | Description | Qty. |
|------------------|--------------|---------------------|------|
| APG3301C-A-01-WD | EG-LY152-A01 | Crankcase assy. | 1 |
| APG3301C-A-02-WD | EG-HT152-A02 | Oil seal | 2 |
| APG3301C-A-03-WD | EG-HT152-A03 | Bearing 6203 | 1 |
| APG3301C-A-04-WD | EG-HT152-A04 | Crankcase gasket | 1 |
| APG3301C-A-05-WD | EG-HT152-A05 | Drain bolt | 2 |
| APG3301C-A-06-WD | EG-HT152-A06 | Washer | 2 |
| APG3301C-A-07-WD | EG-HT152-A07 | Dowel pin | 2 |
| APG3301C-A-08-WD | EG-HT152-A08 | Bearing 6203 | 1 |
| APG3301C-A-09-WD | EG-HT152-A09 | Crankcase cover | 1 |
| APG3301C-A-10-WD | EG-HT152-A10 | Oil level cap assy. | 2 |
| APG3301C-A-11-WD | EG-HT152-A11 | Flange bolt | 6 |
| APG3301C-A-12-WD | EG-HT152-A12 | "O" Ring | 2 |

1200W Generator

General Parts Listing

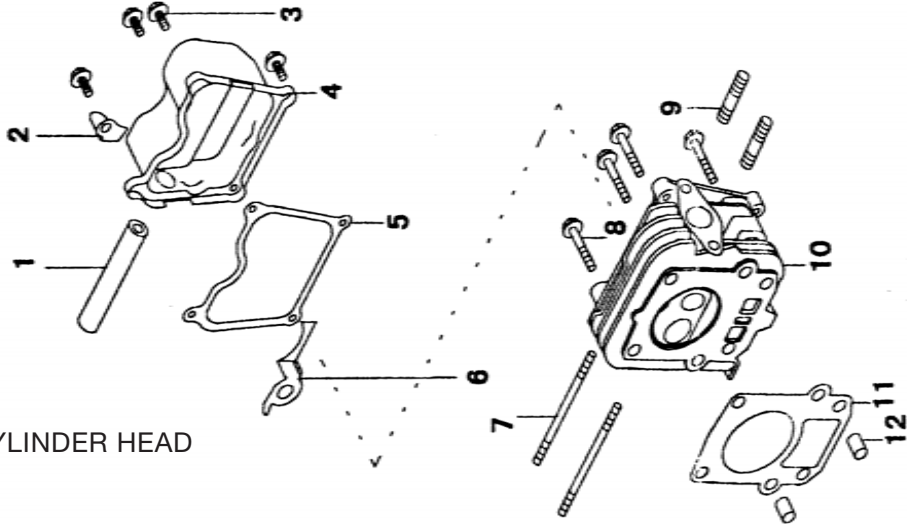


FIG B. CYLINDER HEAD

| APA Part No. | Part No. | Description | Qty. |
|------------------|----------------|----------------------|------|
| APG3301C-B-01-WD | EG-LY 152-B01 | Pipe | 1 |
| APG3301C-B-02-WD | EG- LY 152-B02 | Wire board | 1 |
| APG3301C-B-03-WD | EG- LY 152-B03 | Flange bolt | 4 |
| APG3301C-B-04-WD | EG- LY 152-B04 | Head cover comp | 1 |
| APG3301C-B-05-WD | EG- LY 152-B05 | Head cover gasket | 1 |
| APG3301C-B-06-WD | EG- LY 152-B06 | Press board | 1 |
| APG3301C-B-07-WD | EG- LY 152-B07 | Bolt M6x90 | 2 |
| APG3301C-B-08-WD | EG- LY 152-B08 | Flange bolt | 4 |
| APG3301C-B-09-WD | EG- LY 152-B09 | Bolt M6x38 | 2 |
| APG3301C-B-10-WD | EG- LY 152-B10 | Cylinder head assy. | 1 |
| APG3301C-B-11-WD | EG- LY 152-B11 | Cylinder head gasket | 1 |
| APG3301C-B-12-WD | EG- LY 152-B12 | Dowel pin | 2 |

Owner's Manual

General Parts Listing

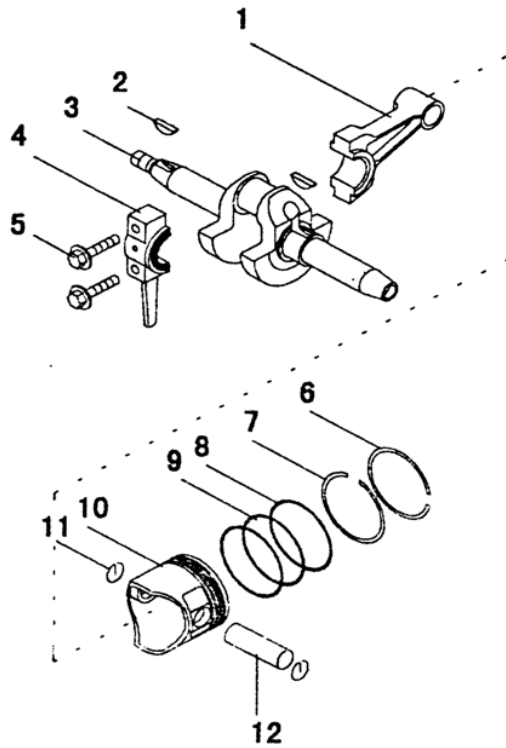


FIG C. CRANKSHAFT PISTON

| APA Part No. | Part No. | Description | Qty. |
|------------------|--------------|----------------------|------|
| APG3301C-C-01-WD | EG-LY152-C01 | Connecting rod | 1 |
| APG3301C-C-02-WD | EG-LY152-C02 | Semicircle key | 2 |
| APG3301C-C-03-WD | EG-LY152-C03 | Crankshaft assy. | 1 |
| APG3301C-C-04-WD | EG-LY152-C04 | Connecting rod cover | 1 |
| APG3301C-C-05-WD | EG-LY152-C05 | Flange bolt | 2 |
| APG3301C-C-06-WD | EG-LY152-C06 | First piston ring | 1 |
| APG3301C-C-07-WD | EG-LY152-C07 | Second piston ring | 1 |
| APG3301C-C-08-WD | EG-LY152-C08 | Oil ring guide slot | 1 |
| APG3301C-C-09-WD | EG-LY152-C09 | Spring | 1 |
| APG3301C-C-10-WD | EG-LY152-C10 | Piston | 1 |
| APG3301C-C-11-WD | EG-LY152-C11 | Piston pin clip | 2 |
| APG3301C-C-12-WD | EG-LY152-C12 | Piston pin | 1 |

1200W Generator

General Parts Listing

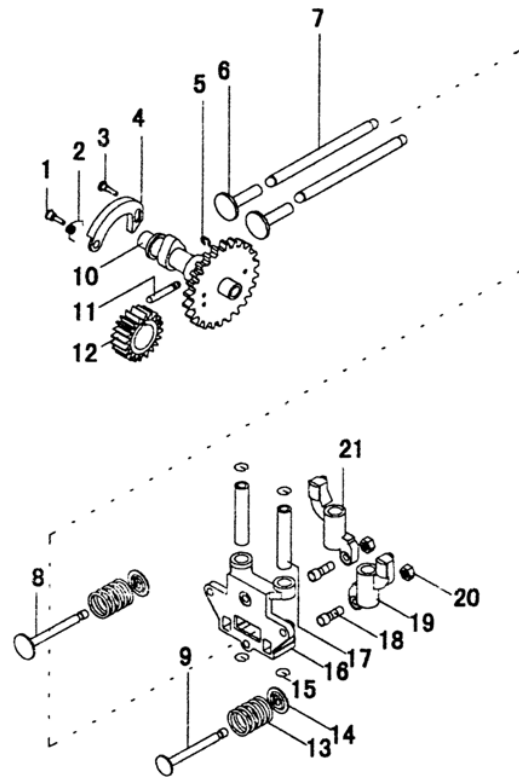


FIG D. CAMSHAFT

| APA Part No. | Part No. | Description | Qty. |
|------------------|--------------|---------------|------|
| APG3301C-D-01-WD | EG-LY152-D01 | Pin A | 1 |
| APG3301C-D-02-WD | EG-LY152-D02 | Spring | 1 |
| APG3301C-D-03-WD | EG-LY152-D03 | Pin B | 1 |
| APG3301C-D-04-WD | EG-LY152-D04 | Slide block | 1 |
| APG3301C-D-05-WD | EG-LY152-D05 | Lock ring | 1 |
| APG3301C-D-06-WD | EG-LY152-D06 | Valve lifter | 2 |
| APG3301C-D-07-WD | EG-LY152-D07 | Push rod | 2 |
| APG3301C-D-08-WD | EG-LY152-D08 | Intake valve | 1 |
| APG3301C-D-09-WD | EG-LY152-D09 | Exhaust valve | 1 |
| APG3301C-D-10-WD | EG-LY152-D10 | Camshaft | 1 |
| APG3301C-D-11-WD | EG-LY152-D11 | Pin | 1 |
| APG3301C-D-12-WD | EG-LY152-D12 | Pinion | 1 |

Owner's Manual

General Parts Listing

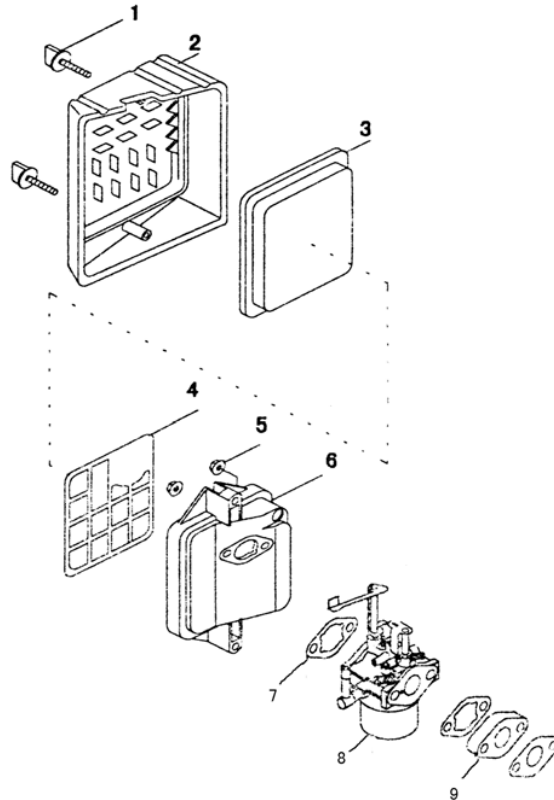
FIG D. CAMSHAFT

| APA Part No. | Part No. | Description | Qty. |
|---------------------|-----------------|--------------------|-------------|
| APG3301C-D-13-WD | EG-LY152-D13 | Valve spring | 2 |
| APG3301C-D-14-WD | EG-LY152-D14 | Spring retainers | 2 |
| APG3301C-D-15-WD | EG-LY152-D15 | Rocker ring | 4 |
| APG3301C-D-16-WD | EG-LY152-D16 | Rocker seat | 1 |
| APG3301C-D-17-WD | EG-LY152-D17 | Rocker arm shaft | 2 |
| APG3301C-D-18-WD | EG-LY152-D18 | Adjusters screw | 2 |
| APG3301C-D-19-WD | EG-LY152-D19 | Exhaust rocker | 1 |
| APG3301C-D-20-WD | EG-LY152-D20 | Net M6 | 2 |
| APG3301C-D-21-WD | EG-LY152-D21 | Intake rocker | 1 |
| | | | |
| | | | |
| | | | |
| | | | |

1200W Generator

General Parts Listing

FIG E. AIR CLEANER



| APA Part No. | Part No. | Description | Qty. |
|------------------|--------------|---------------------|------|
| APG3301C-E-01-WD | EG-LY152-E01 | Bolt | 2 |
| APG3301C-E-02-WD | EG-LY152-E02 | Filter cover | 1 |
| APG3301C-E-03-WD | EG-LY152-E03 | Air cleaner element | 1 |
| APG3301C-E-04-WD | EG-LY152-E04 | Hold rack | 1 |
| APG3301C-E-05-WD | EG-LY152-E05 | Net M6 | 2 |
| APG3301C-E-06-WD | EG-LY152-E06 | Filter seat | 1 |
| APG3301C-E-07-WD | EG-LY152-E07 | Gasket | 3 |
| APG3301C-E-08-WD | EG-LY152-F01 | Carburetor assy. | 1 |
| APG3301C-E-09-WD | EG-LY152-E09 | Carburetor pipe | 1 |

Owner's Manual

General Parts Listing

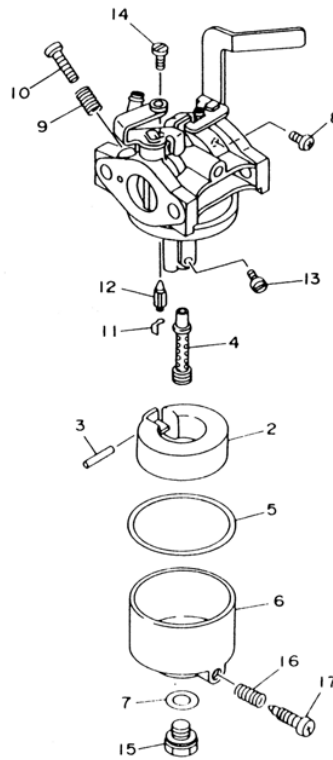


FIG F. CARBURETOR

| APA Part No. | Part No. | Description | Qty. |
|------------------|--------------|--------------------|------|
| APG3301C-F-01-WD | EG-LY152-F01 | Carburetor assy. | 1 |
| APG3301C-F-02-WD | EG-LY152-F02 | Float | 1 |
| APG3301C-F-03-WD | EG-LY152-F03 | Float pin | 1 |
| APG3301C-F-04-WD | EG-LY152-F04 | Main nozzle | 1 |
| APG3301C-F-05-WD | EG-LY152-F05 | Gasket | 1 |
| APG3301C-F-06-WD | EG-LY152-F06 | Float chamber body | 1 |
| APG3301C-F-07-WD | EG-LY152-F07 | Gasket | 1 |
| APG3301C-F-08-WD | EG-LY152-F08 | Bolt | 1 |
| APG3301C-F-09-WD | EG-LY152-F09 | Spring | 1 |
| APG3301C-F-10-WD | EG-LY152-F10 | Pilot screw | 1 |
| APG3301C-F-11-WD | EG-LY152-F11 | Bracket | 1 |
| APG3301C-F-12-WD | EG-LY152-F12 | Needle assembly | 1 |

1200W Generator

General Parts Listing

FIG F. CARBURETOR

| APA Part No. | Part No. | Description | Qty. |
|---------------------|-----------------|--------------------|-------------|
| APG3301C-F-13-WD | EG-LY152-F13 | Main jet | 1 |
| APG3301C-F-14-WD | EG-LY152-F14 | Pilot jet | 1 |
| APG3301C-F-15-WD | EG-LY152-F15 | Bolt | 1 |
| APG3301C-F-16-WD | EG-LY152-F16 | Spring | 1 |
| APG3301C-F-17-WD | EG-LY152-F17 | Bolt | 1 |

Owner's Manual

General Parts Listing

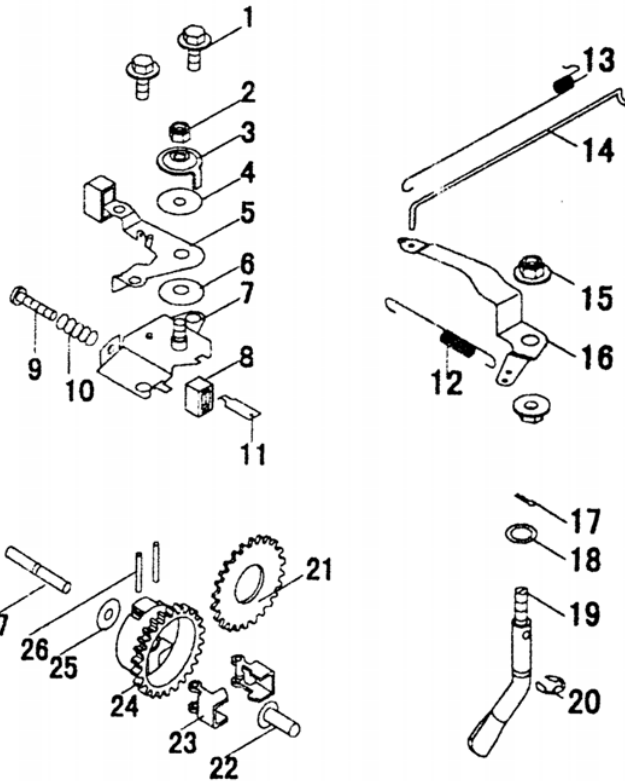


FIG G. GOVERNOR

| APA Part No. | Part No. | Description | Qty. |
|--------------------|--------------|------------------|------|
| APG3301C-G -01-WD | EG-LY152-G01 | Bolt | 2 |
| APG3301C- G -02-WD | EG-LY152-G02 | Nut M6 | 1 |
| APG3301C- G -03-WD | EG-LY152-G03 | Platen | 1 |
| APG3301C- G -04-WD | EG-LY152-G04 | Spring washer | 1 |
| APG3301C- G -05-WD | EG-LY152-G05 | Handle | 1 |
| APG3301C- G -06-WD | EG-LY152-G06 | Washer | 1 |
| APG3301C- G -07-WD | EG-LY152-G07 | Shaft | 1 |
| APG3301C- G -08-WD | EG-LY152-G08 | Insulation frame | 1 |
| APG3301C- G -09-WD | EG-LY152-G09 | Bolt | 1 |
| APG3301C- G -10-WD | EG-LY152-G10 | Spring | 1 |
| APG3301C- G -11-WD | EG-LY152-G11 | socket | 1 |

1200W Generator

General Parts Listing

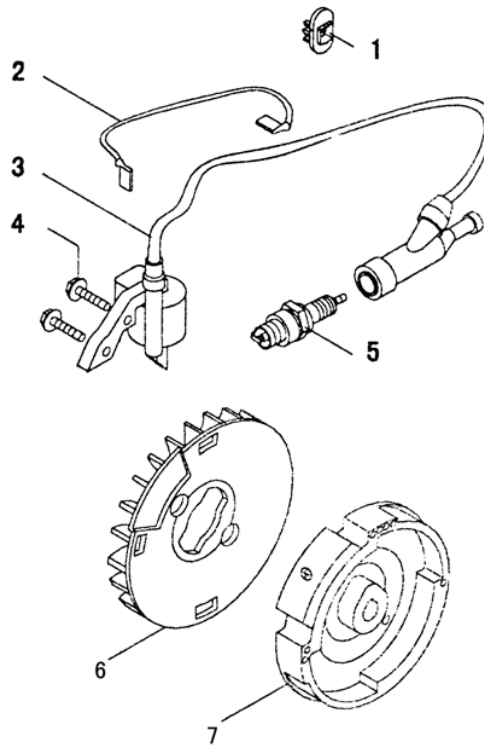
FIG G. GOVERNOR

| APA Part No. | Part No. | Description | Qty. |
|---------------------|-----------------|-------------------------|-------------|
| APG3301C- G -12-WD | EG-LY152-G12 | Spring | 1 |
| APG3301C- G -13-WD | EG-LY152-G13 | Spring | 1 |
| APG3301C- G -14-WD | EG-LY152-G14 | Link rod | 1 |
| APG3301C- G -15-WD | EG-LY152-G15 | Nut M6 | 2 |
| APG3301C- G -16-WD | EG-LY152-G16 | Governor arm | 1 |
| APG3301C- G -17-WD | EG-LY152-G17 | Lock ring | 1 |
| APG3301C- G -18-WD | EG-LY152-G18 | Washer | 1 |
| APG3301C- G -19-WD | EG-LY152-G19 | Governor shaft | 1 |
| APG3301C- G -20-WD | EG-LY152-G20 | Lock ring | 1 |
| APG3301C- G -21-WD | EG-LY152-G21 | Gear | 1 |
| APG3301C- G -22-WD | EG-LY152-G22 | Governor slider | 1 |
| APG3301C- G -23-WD | EG-LY152-G23 | Flyweight | 2 |
| APG3301C- G -24-WD | EG-LY152-G24 | Adjust speed gear | 1 |
| APG3301C- G -25-WD | EG-LY152-G25 | Washer | 1 |
| APG3301C- G -26-WD | EG-LY152-G26 | Flywheel shaft | 2 |
| APG3301C- G -27-WD | EG-LY152-G27 | Adjust speed gear shaft | 1 |

Owner's Manual

General Parts Listing

FIG H. IGNITION FLYWHEEL

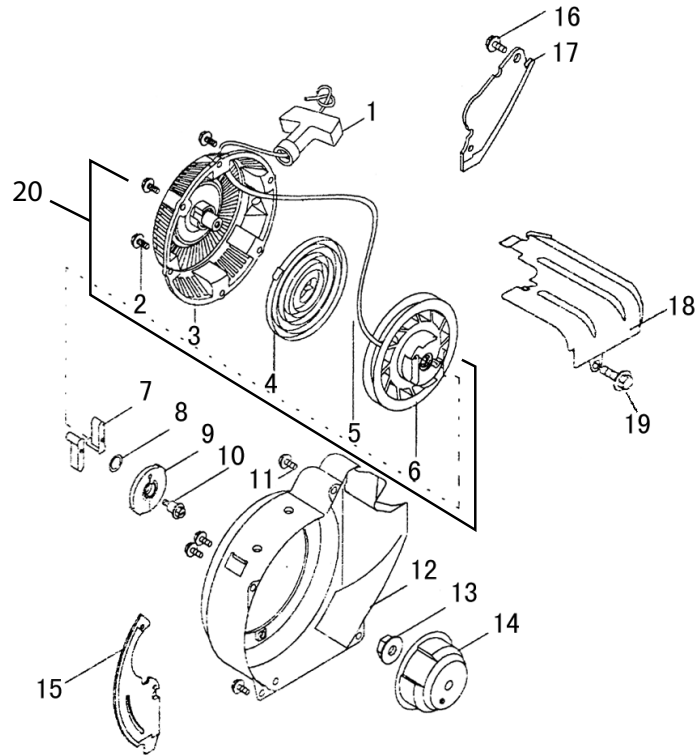


| APA Part No. | Part No. | Description | Qty. |
|--------------------|--------------|---------------------------|------|
| APG3301C-H -01-WD | EG-LY152-H01 | String frame | 1 |
| APG3301C- H -02-WD | EG-LY152-H02 | Stopping protective wires | 1 |
| APG3301C- H -03-WD | EG-LY152-H03 | Ignition coil assy. | 1 |
| APG3301C- H -04-WD | EG-LY152-H04 | Flange bolt | 2 |
| APG3301C- H -05-WD | EG-LY152-H05 | Spark plug | 1 |
| APG3301C- H -06-WD | EG-LY152-H06 | Fan | 1 |
| APG3301C- H -07-WD | EG-LY152-H07 | Flywheel | 1 |
| | | | |
| | | | |
| | | | |
| | | | |
| | | | |
| | | | |
| | | | |

1200W Generator

General Parts Listing

FIG I. RECOIL STARTER



| APA Part No. | Part No. | Description | Qty. |
|--------------------|--------------|---------------------|------|
| APG3301C-I -01-WD | EG-LY152-I01 | Handle | 1 |
| APG3301C- I -02-WD | EG-LY152-I02 | Bolt | 3 |
| APG3301C- I -03-WD | EG-LY152-I03 | Recoil starter case | 1 |
| APG3301C- I -04-WD | EG-LY152-I04 | Starter spring | 1 |
| APG3301C- I -05-WD | EG-LY152-I05 | Recoil starter rope | 1 |
| APG3301C- I -06-WD | EG-LY152-I06 | Drum sheave | 1 |
| APG3301C- I -07-WD | EG-LY152-I07 | Drive pawls | 2 |
| APG3301C- I -08-WD | EG-LY152-I08 | Clip | 1 |
| APG3301C- I -09-WD | EG-LY152-I09 | Drive plate | 1 |
| APG3301C- I -10-WD | EG-LY152-I10 | Pin | 1 |
| APG3301C- I-11-WD | EG-LY152-I11 | Bolt | 4 |
| APG3301C- I -12-WD | EG-LY152-I12 | Flywheel cover | 1 |
| APG3301C- I -13-WD | EG-LY152-I13 | Nut | 1 |

Owner's Manual

General Parts Listing

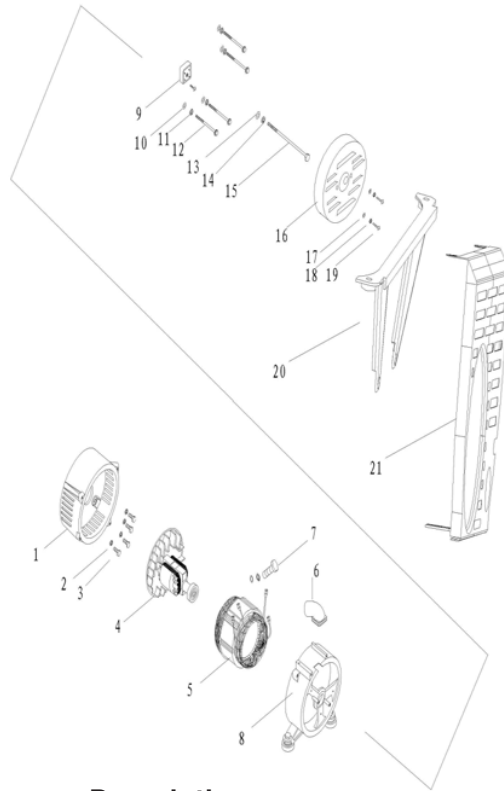
FIG I. RECOIL STARTER

| APA Part No. | Part No. | Description | Qty. |
|---------------------|-----------------|---------------------|-------------|
| APG3301C- I -14-WD | EG-LY152-I14 | Starter pulley | 1 |
| APG3301C- I -15-WD | EG-LY152-I15 | Behind cover | 1 |
| APG3301C- I -16-WD | EG-LY152-I16 | Bolt | 2 |
| APG3301C- I -17-WD | EG-LY152-I17 | Front cover | 1 |
| APG3301C- I -18-WD | EG-LY152-I18 | Air shroud | 1 |
| APG3301C- I -19-WD | EG-LY152-I19 | Bolt | 1 |
| APG3301C- I -20-WD | | Recoil Starter Assy | 1 |

1200W Generator

General Parts Listing

FIG J. magneto



| APA Part No. | Part No. | Description | Qty. |
|--------------------|-----------------|----------------------------|------|
| APG3301C-J -01-WD | GG-WDF1200E-J01 | Front cover | 1 |
| APG3301C- J -02-WD | GG-WDF1200E-J02 | Fasten gasket | 4 |
| APG3301C- J -03-WD | GG-WDF1200E-J03 | Bolt M8X25 | 7 |
| APG3301C- J -04-WD | GG-WDF1200E-J04 | Rotor | 1 |
| APG3301C- J -05-WD | GG-WDF1200E-J05 | Stator | 1 |
| APG3301C- J -06-WD | GG-WDF1200E-J06 | Magneto wire protect cover | 1 |
| APG3301C- J -07-WD | GG-WDF1200E-J07 | Bolt M6X12 | 2 |
| APG3301C- J -08-WD | GG-WDF1200E-J08 | Rear cover | 1 |
| APG3301C- J -09-WD | GG-WDF1200E-J09 | Rectifier | 1 |
| APG3301C- J -10-WD | GG-WDF1200E-J10 | Gasket | 4 |
| APG3301C- J -11-WD | GG-WDF1200E-J11 | Spring gasket | 4 |
| APG3301C- J -12-WD | GG-WDF1200E-J12 | Bolt MX90 | 4 |

Owner's Manual

General Parts Listing

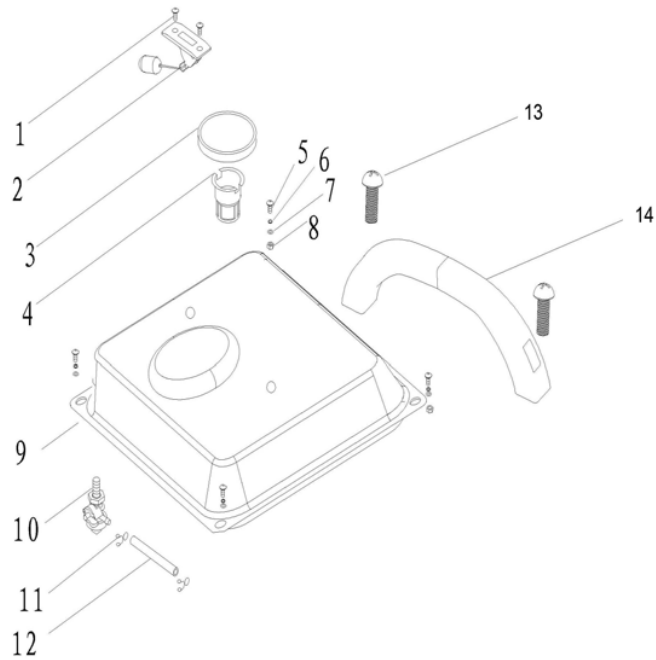
FIG J. magneto

| APA Part No. | Part No. | Description | Qty. |
|---------------------|-----------------|---------------------|-------------|
| APG3301C- J -13-WD | GG-WDF1200E-J13 | Gasket | 1 |
| APG3301C- J -14-WD | GG-WDF1200E-J14 | Spring gasket | 1 |
| APG3301C- J -15-WD | GG-WDF1200E-J15 | Bolt M8X180 | 1 |
| APG3301C- J -16-WD | GG-WDF1200E-J16 | Magneto cover | 1 |
| APG3301C- J -17-WD | GG-WDF1200E-J17 | Gasket | 2 |
| APG3301C- J -18-WD | GG-WDF1200E-J18 | Spring gasket | 2 |
| APG3301C- J -19-WD | GG-WDF1200E-J19 | Bolt M5X12 | 2 |
| APG3301C- J -20-WD | GG-WDF1200E-J20 | Right plank of tank | 1 |
| APG3301C- J -21-WD | GG-WDF1200E-J21 | Flank mulch | 1 |

1200W Generator

General Parts Listing

FIG K

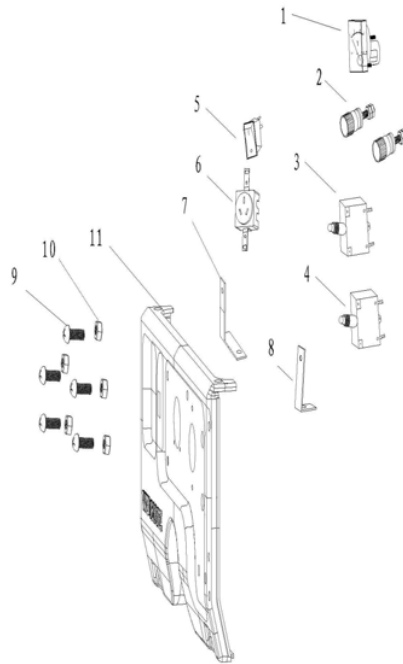


| APA Part No. | Part No. | Description | Qty. |
|--------------------|-----------------|---------------------------|------|
| APG3301C-K -01-WD | GG-WDF1200E-K01 | Bolt M6X12 | 2 |
| APG3301C- K -02-WD | GG-WDF1200E-K02 | Sender unit | 1 |
| APG3301C- K -03-WD | GG-WDF1200E-K03 | Fuel cap | 1 |
| APG3301C- K -04-WD | GG-WDF1200E-K04 | Fuel tank filter | 1 |
| APG3301C- K -05-WD | GG-WDF1200E-K05 | Hexagon flange bolt M6X16 | 4 |
| APG3301C- K -06-WD | GG-WDF1200E-K06 | Gasket | 4 |
| APG3301C- K -07-WD | GG-WDF1200E-K07 | Spring gasket | 4 |
| APG3301C- K -08-WD | GG-WDF1200E-K08 | Bolt M6 | 4 |
| APG3301C- K -09-WD | GG-WDF1200E-K09 | Fuel tank assy | 1 |
| APG3301C- K -10-WD | GG-WDF1200E-K10 | Fuel Valve | 1 |
| APG3301C- K -11-WD | GG-WDF1200E-K11 | Fuel pipe clip | 2 |
| APG3301C- K -12-WD | GG-WDF1200E-K12 | Fuel pipe | 1 |
| APG3301C- K -13-WD | GG-WDF1200E-K13 | Bolt M6X25 | 1 |
| APG3301C- K -14-WD | GG-WDF1200E-K14 | Handle | 2 |

Owner's Manual

General Parts Listing

FIG L



| APA Part No. | Part No. | Description | Qty. |
|--------------------|-----------------|----------------------|------|
| APG3301C-L -01-WD | GG-WDF1200E-L01 | Voltmeter | 1 |
| APG3301C- L -02-WD | GG-WDF1200E-L02 | DC 12V output | 2 |
| APG3301C- L -03-WD | GG-WDF1200E-L03 | AC circuit breaker | 1 |
| APG3301C- L -04-WD | GG-WDF1200E-L04 | DC circuit breaker | 1 |
| APG3301C- L -05-WD | GG-WDF1200E-L05 | Engine switch | 1 |
| APG3301C- L -06-WD | GG-WDF1200E-L06 | AC socket | 1 |
| APG3301C- L -07-WD | GG-WDF1200E-L07 | Left plank of panel | 1 |
| APG3301C- L -08-WD | GG-WDF1200E-L08 | Right plank of panel | 1 |
| APG3301C- L -09-WD | GG-WDF1200E-L09 | Bolt M6X16 | 5 |
| APG3301C- L -10-WD | GG-WDF1200E-L10 | Bolt M6 | 5 |
| APG3301C- L -11-WD | GG-WDF1200E-L11 | Panel | 1 |

